

Thermo Scientific 1400S Transmitter

Stainless steel transmitter for signal processing

The Thermo Scientific™ 1400S Transmitter for signal processing calculates the density, level, moisture, and related variables of process materials.

- Rugged design can withstand tough operating conditions
- Self-contained help menu facilitates operation
- CSA and ATEX certification allows for worldwide installation base
- AC or DC power options ensure low power consumption



The rugged, stainless steel Thermo Scientific 1400S Transmitter accurately calculates the density, level, moisture and/or related variables of process materials. It is engineered to work in tandem with several Thermo Scientific gauges, each comprised of a detector/sensor. This detector/sensor receives and conditions a signal and communicates it to the 1400S transmitter, providing an isolated 4-20 mA output that represents the process conditions within the pipe or vessel. This integrated communication between the detector/sensor and transmitter provides increased accuracy and stability of the measurement.

The 1400S transmitter features a four-line, alphanumeric, beveled display that can be read in direct sunlight from as far away as three meters. The value that appears on this display can be sent to serial ports or used to drive current outputs and alarms. The value can also be set in various units of measure to facilitate international use. In addition, system fault and warning alarms help to minimize process disruptions.

The 1400S transmitter contains plug and play boards for the CPU, the detector interface and input/output (I/O). The base unit is supplied with either an isolated, self-powered 4-20 mA output or a loop-powered, isolated 4-20 mA output with up to three additional isolated and independent 4-20 mA outputs available. Any combination of these outputs can be configured to eight independent data or span channels. Units are user-selectable and options include most engineering units of measure. The software logic is an English language, menu-driven interface. An external keypad and a self-contained help menu simplify ongoing operation.

The 1400S transmitter is designed for use with several Thermo Scientific™ gauges, including:

- KRILPRO Interface Device
- KRILPRO-LS Interface Device Low Source
- MOLA Moisture Online Analyzer
- MOLA-LS Moisture Online Analyzer Low Source



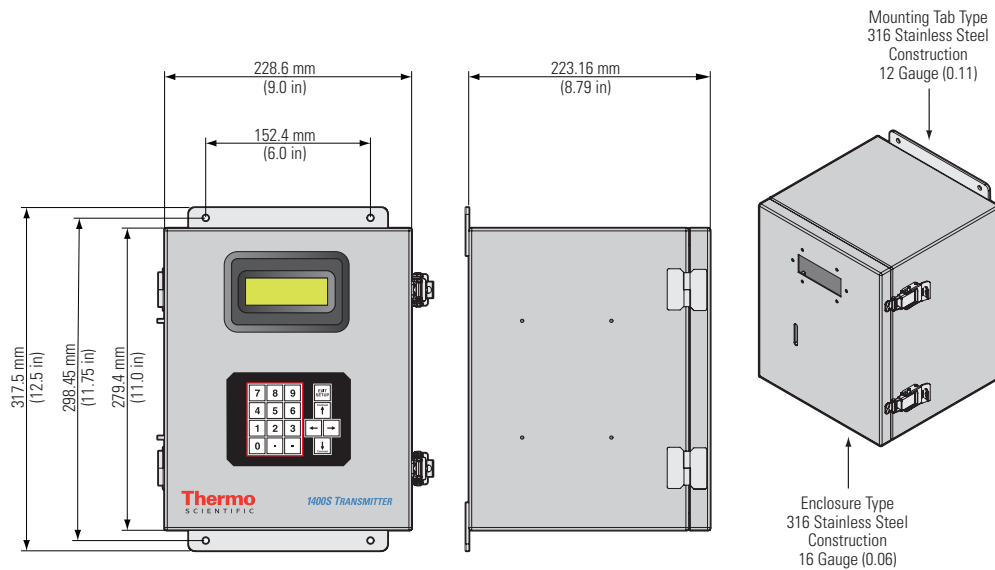
Thermo Scientific 1400S Transmitter

Thermo
SCIENTIFIC

Thermo Scientific 1400S Transmitter

System Architecture	Multiprocessor-based electronics for uninterrupted output during data entry and system interrogation; all user data doubly stored in non-volatile memory with no battery backup required
Display	Four-line backlit display; displays up to eight readouts simultaneously
Current Outputs	4-20 mA isolated self-powered or loop-powered into 800 ohms; field scalable One (1) current output standard Up to three current outputs available, each representing independent span channels
Serial Outputs	RS485 half duplex; RS232 full duplex
Contact Closure Outputs	Up to 16-115 VAC/28 VDC SPDT @ 10 amps (230 VAC SPDT @ 8 amps)
Inputs	Up to three additional I/O available Dry contact closure
Programming Options	Menu-driven direct keypad entry
Power	AC Version: 100-240 VAC 50/60 Hz; Power = 17.2 W DC Version: 20-28 VDC; Power = 12 W
Weight	7.26 kg (16 lb)
Approvals	NEMA 4X/IP65 ATEX: II 3 G Ex nA IIC T6 (-40°C ≤ Ta ≤ 60°C) DC version, EPSILON 08 ATEX 2387; II 3 G Ex nA nC IIC T4 (-20°C ≤ Ta ≤ 50°C) AC version, EPSILON 08 ATEX 2387 CSA: Class I, Div 2, Groups A, B, C and D; Class II, Div 2, Groups F and G; Class III Enclosure type 4X, Temperature code T3C/T4 Power = 20-28 VDC, 12 W, 100 to 240 VAC, 50-60 Hz, 2 Amp, 25 VA maximum; Ambient temperature variation -40°C to +60°C (-40°F to +140°F) CE compliant Low Voltage Directive compliant EMC Directive compliant

1400S Transmitter Dimensional Diagram



For more information, visit our website at thermoscientific.com

© 2015 Thermo Fisher Scientific Inc. All rights reserved. All trademarks are the property of Thermo Fisher Scientific Inc. and its subsidiaries. Specifications, terms and pricing are subject to change. Not all products are available in all countries. Please consult your local sales representative for details.

This product is manufactured in a plant whose quality management system is ISO 9001 certified.

USA
1410 Gillingham Lane
Sugar Land, TX 77478
Ph: (800) 437-7979
Fax: (713) 272-4573
sales.process.us@thermofisher.com

United Kingdom
Ion Path Road Three
Winsford, Cheshire CW7 3GA
Ph: +44 (0) 1606 548700
Fax: +44 (0) 1606 548701
sales.pid.winsford@thermofisher.com

China
+Units 702-715, 7th Floor
Tower West, Yonghe
Beijing, China 100007
+86 10 84193588
info.eid.china@thermofisher.com

Thermo
SCIENTIFIC

A Thermo Fisher Scientific Brand